

BRYANT® Occupancy and Vacancy Sensors

Legend			
AT	PIR	US	PC
Adaptive Technology	Passive Infrared	Ultrasonic	Photocell



Wall Switches (Adaptive Technology)



MSD1000 Series

AT	PIR	US	PC
Manual and Auto-On			
120V AC 800W (INC) / 1000W (FL)			
277V AC 1800W; 1000 Sq. Ft.			

1 Button, 1 Circuit	MSD1000x1
2 Button, 2 Circuit	MSD1000x2
No Button, 1 Circuit	MSD1000x1N
No Button, 2 Circuit	MSD1000x2N

x=color: W (White), I (Ivory), BK (Black), GY (Gray) or LA (Light Almond)



MSU400 Series

AT	PIR	US	PC
Manual and Auto-On			
120V AC 800W (INC) / 1000W (FL)			
277V AC 1800W; 400 Sq. Ft.			

1 Button, 1 Circuit	MSU400x1
2 Button, 2 Circuit	MSU400x2
No Button, 1 Circuit	MSU400x1N
No Button, 2 Circuit	MSU400x2N



MS1200AT Series

AT	PIR	US	PC
Manual and Auto-On			
120V AC 800W (INC) / 1000W (FL)			
277V AC 1800W (FL); 1200 Sq. Ft.			

1 Button, 1 Circuit	MS1200ATx
---------------------	------------------

x=color: W (White), I (Ivory) or GY (Gray)

Wall Switches (Passive Infrared)



MS1200 Series

AT	PIR	US	PC
Manual or Auto-On			
120V AC 800W (INC/FL); 277V AC 1200W (FL)			
1200 Sq. Ft.			

Auto-On	MS1200x
---------	----------------

x=color: W (White), or I (Ivory)



MS900 Series

AT	PIR	US	PC
Manual			
120V AC 800W (INC) / 1000W (FL)			
277V AC 1800W (FL); 900 Sq. Ft.			

120V AC, 1 Button	MS900120x
277V AC, 1 Button	MS900277x

x=color: W (White) or I (Ivory)



MSP2C

AT	PIR	US	PC
Bi-Level Switching			
120V AC 800W, 277V AC 1800W			
1000 Sq. Ft.			

2 Button, Double Pole	MSP2C
-----------------------	--------------

Residential Wall Switches (Passive Infrared)



RMS121/RMS120 Series

AT	PIR	US	PC
Manual-on and Auto-On			
120V AC 500W			
800 Sq. Ft.			

Occupancy Sensor	RMS121x
------------------	----------------

Manual-on and Auto-On

Vacancy Sensor	RMS120x
----------------	----------------

Auto-On and Auto-Off

x=color: W (White) or I (Ivory)



RMS101/RMS100 Series

AT	PIR	US	PC
One Button			
120V AC 500W			
800 Sq. Ft.			

Occupancy Sensor	RMS101x
------------------	----------------

Manual-on and Auto-On

Vacancy Sensor	RMS100x
----------------	----------------

Auto-On and Auto-Off

x=color: W (White) or I (Ivory)



RMS141/RMS140 Series

AT	PIR	US	PC
Heavy Duty			
120V AC 800W (INC) / 1000W (FL)			
900 Sq. Ft.			

Occupancy Sensor	RMS141x
------------------	----------------

Manual-on and Auto-On

Vacancy Sensor	RMS140x
----------------	----------------

Auto-On and Auto-Off

x=color: W (White) or I (Ivory)

Ceiling Sensors (Adaptive Technology)



MSD2000C

AT	PIR	US	PC
24V DC, 33mA			

2000 Sq. Ft.	MSD2000C
1000 Sq. Ft.	MSD1000C
500 Sq. Ft.	MSD500C



MSU2000C

AT	PIR	US	PC
24V DC, 33mA			

2000 Sq. Ft.	MSU2000C
1000 Sq. Ft.	MSU1000C
500 Sq. Ft.	MSU500C



MSP1500C

AT	PIR	US	PC
24V DC, 33mA			

1500 Sq. Ft.	MSP1500C
600 Sq. Ft.	MSP600C

Note: Must use a Control Unit with MSD, MSU and MSP ceiling sensors.

Wall Mount Sensors (AD Tech)



MSD1600W

AT	PIR	US	PC
24V 33mA			

1600 Sq. Ft.	MSD1600W
--------------	-----------------

Note: Must use a Control Unit with MSD and MSP wall sensors.



MSP1600W/MSP120HB

AT	PIR	US	PC
24V 33mA			

1600 Sq. Ft.	MSP1600W
--------------	-----------------

For High Bay Applications

120 Linear Sq. Ft.	MSP120HB
--------------------	-----------------

Ceiling Sensors (Non-Adaptive Technology)



MSD2000L120

AT	PIR	US	PC
Line Voltage			

2000 Sq. Ft.	MSD2000L120
120V AC 2400W	MSD2000L120
277V AC 5000W	MSD2000L277



MSU1500L120

AT	PIR	US	PC
Line Voltage			

2000 Sq. Ft.	MSU1500L120
120V AC 2400W	MSU2000L120*
277V AC 5000W	MSU2000L277*

1500 Sq. Ft.

120V AC 2400W	MSU1500L120
277V AC 5000W	MSU1500L277

*Not Shown



MSP1500CL

AT	PIR	US	PC
Line Voltage			

800W (INC); 1000W (FL) @ 120V AC	MSP1500CL
1800W (FL) @ 277V AC	
2200W (FL) @ 347V AC	

1500 Sq. Ft.

1500 Sq. Ft.	MSP1500CL
--------------	------------------

Control Units and Add-a-Relay



Control Units

The MSCU provides a 24V DC power supply for 1 to 4 sensors or sensor/ Add-A-Relay combinations or 1 to 3 for MSU/MSU/MSP series ceiling and wall mount sensors.

120/277V AC, 50/60 Hz, 15A (INC) / 20A (FL)	MSCU
---	-------------



Add-A-Relay

Bryant MSAR Add-A-Relay contains an internal relay for control of an external lighting load. For use with MSD/MSU/MSP series ceiling and wall mount sensors.

120/277V AC, 50/60 Hz, 15A (INC) / 20A (FL)	MSAR
---	-------------

High Bay Fixture Mount Controls



MSHB21U

AT	PIR	US	PC
Mounts up to 45 ft. high			

Standard Series

1 Relay; 120-347V AC	MSHB21U
2 Relays; 120-347V AC	MSHB22U

Digital Timer

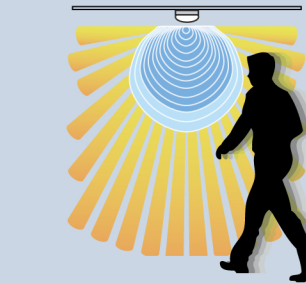


DT12H

120V AC 800W; 277V AC 1200W	DT12H
Digital Timer Switch	
Dip switch enabled preset intervals	
- 5, 15 or 30 minutes	
- 1, 3, 6, 9 or 12 hours	

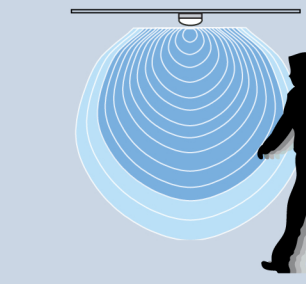
Sensing Technologies

Dual Technology (PIR and US)



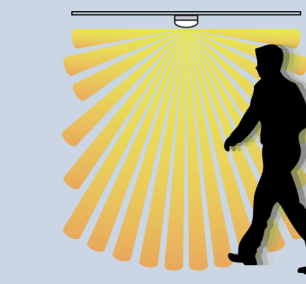
- Combines both passive infrared and ultrasonic technologies for maximum reliability.
- Minimizes false triggering.
- Continued detection by only one technology then keeps lighting on as necessary.
- Offers the best performance for most applications.

Ultrasonic (US)



- Senses occupancy by bouncing sound waves off of objects.
- Excellent at detecting even minor motion such as typing and filing.
- Does not require an unobstructed line-of-sight.
- Ideal for offices with cubicles or restrooms with stalls.

Passive Infrared (PIR)



- Senses occupancy by detecting the movement of heat emitted from the human body against the background space.
- Requires an unobstructed line-of-sight for detection.
- Ideal for detecting major motion (e.g. walking), and they work best in small, enclosed spaces with high levels of occupant movement.

Wall Switch Options

Colors MSD/MSU Series



Buttons for MSD/MSU Series



Accessories



Wire Guards

For Wall Switch	MSWGS
For Ceiling Mount	MSWGC
For Wall Mount	MSWGW

Adapters

Ceiling Mount	MSCRA
Rayway	
Adapter	

Enclosure

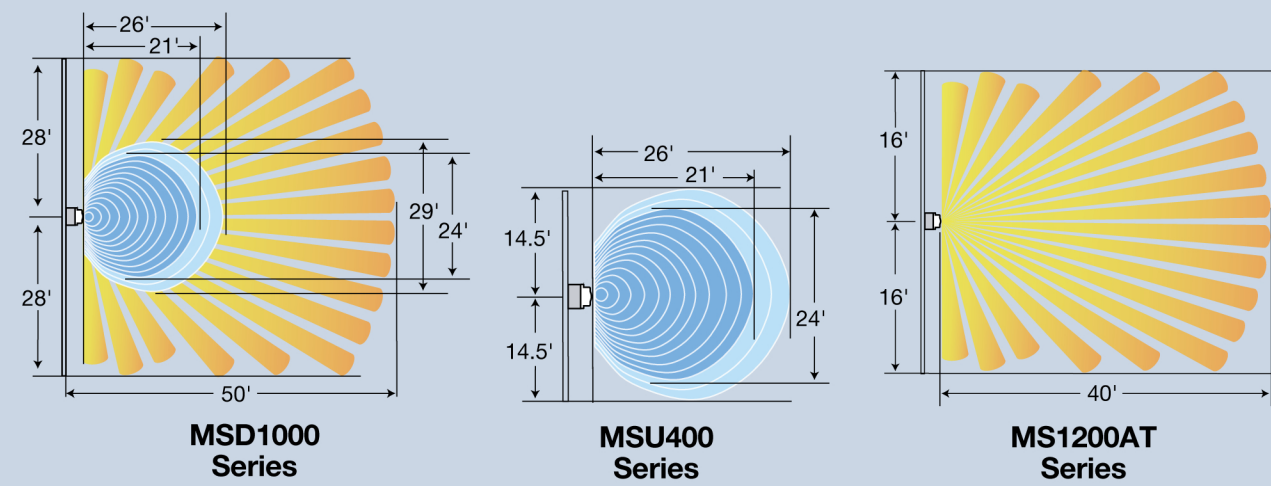
Ceiling Sensor	MSO4X
Infrared NEMA	
4X Enclosure	



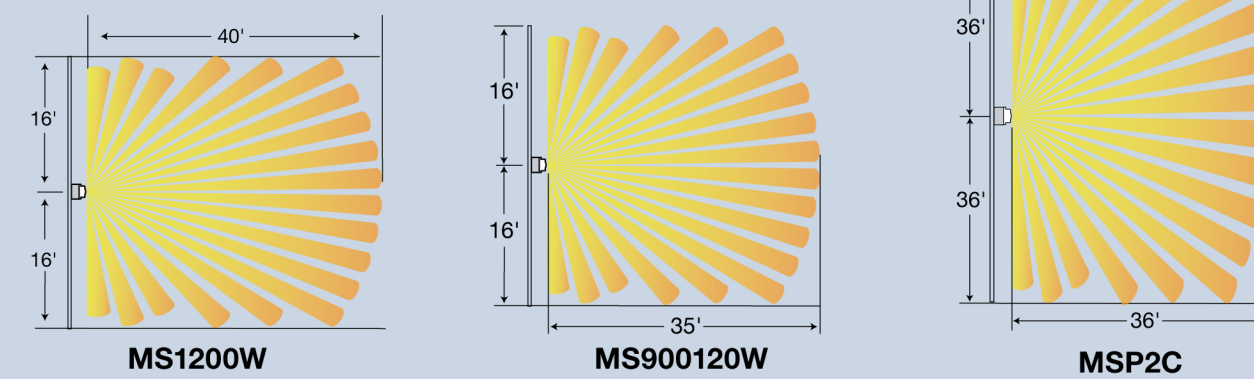
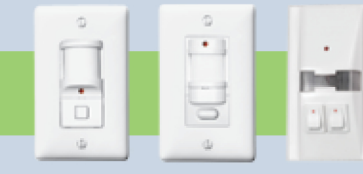
Coverage Patterns and Wiring Schematics

Minor Motion: ■ Ultrasonic ■ PIR ■ Major Motion: ■ Ultrasonic ■ PIR

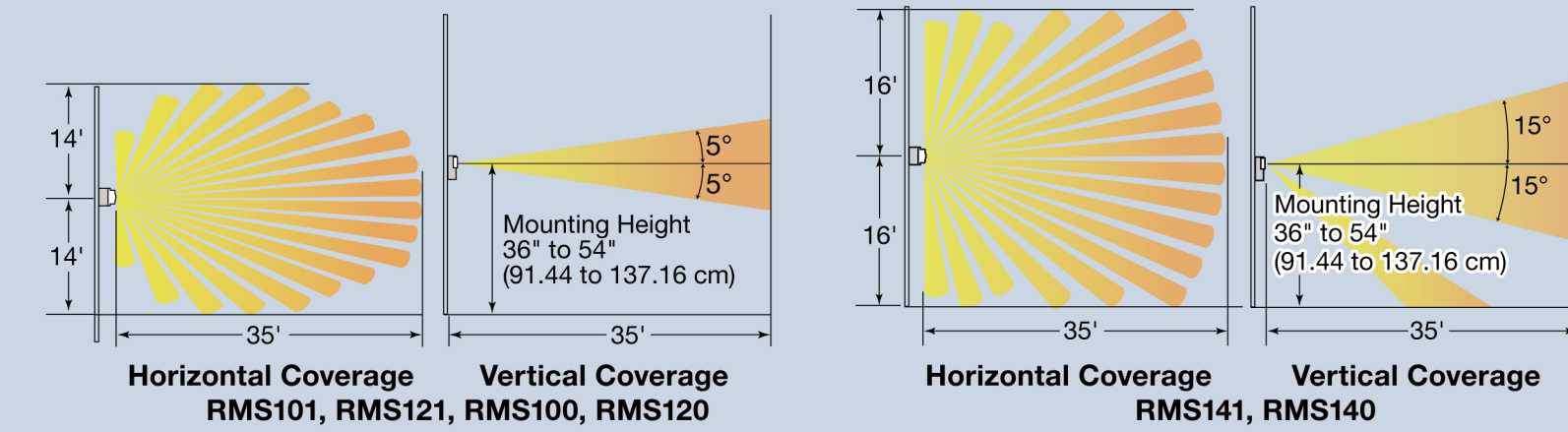
Wall Switches (Adaptive Technology)



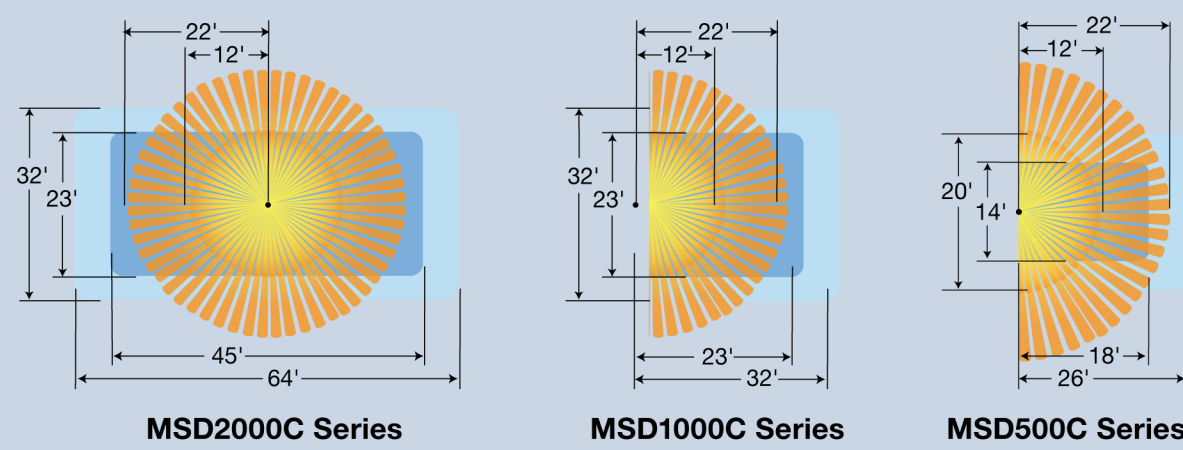
Wall Switches (Passive Infrared)



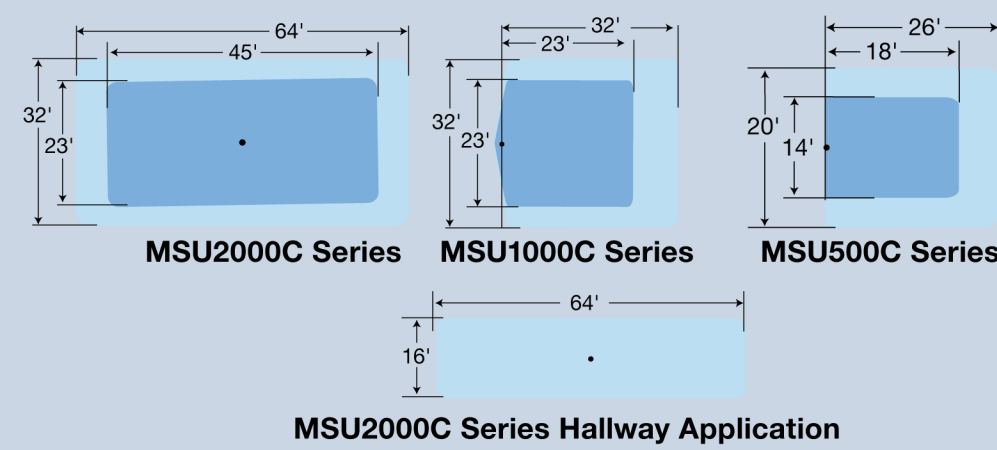
Residential Wall Switches (Passive Infrared)



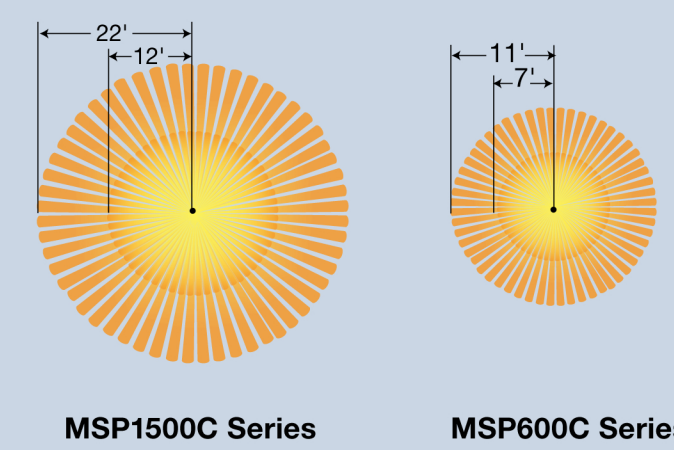
Ceiling Sensors (MSD Series)



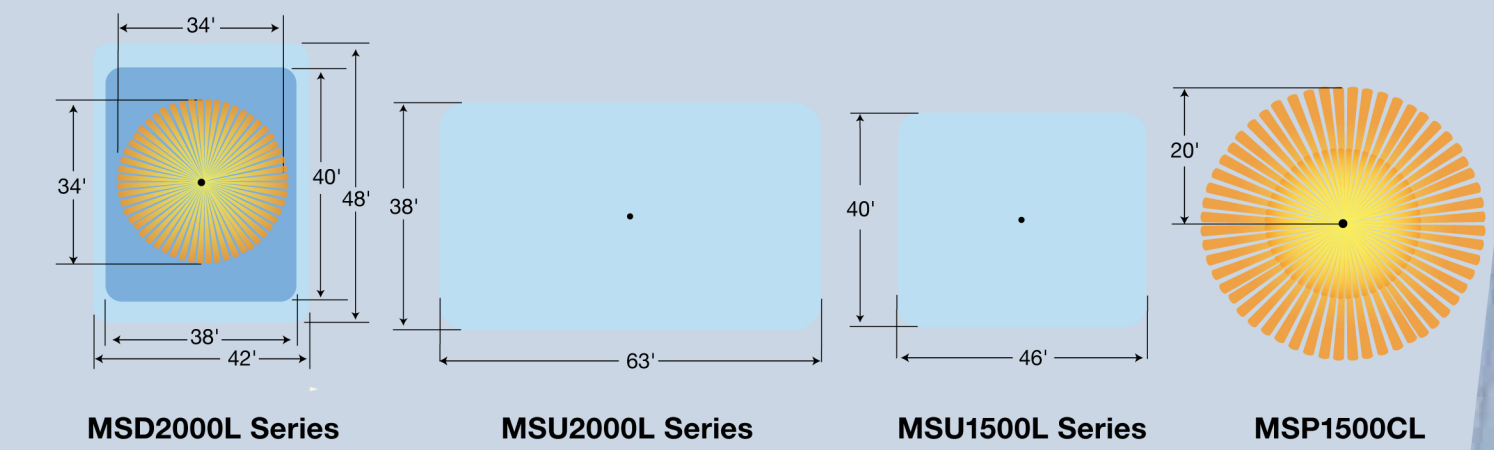
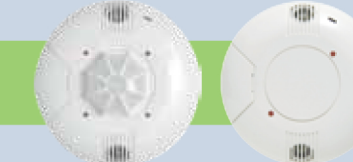
Ceiling Sensors (MSU Series)



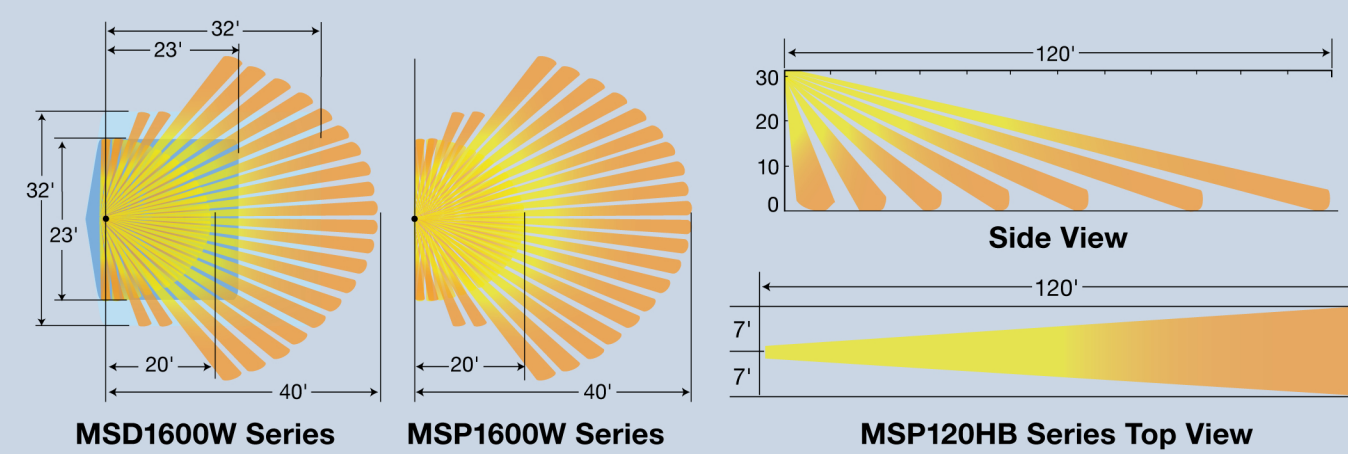
Ceiling Sensors (MSP Series)



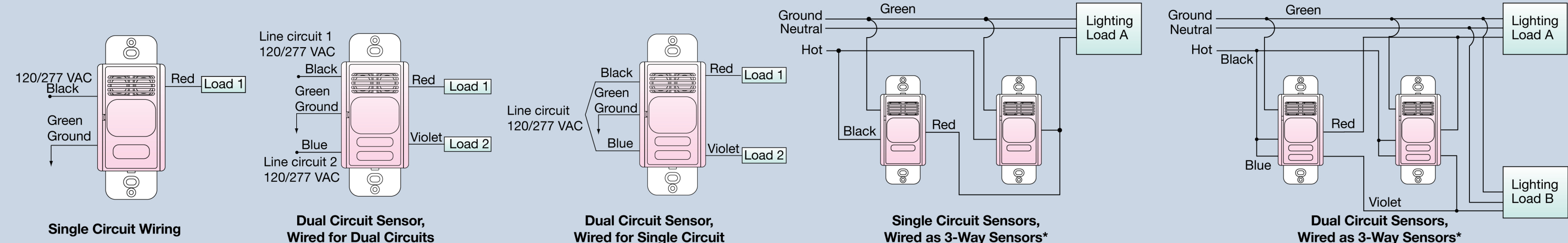
Ceiling Sensors (Line Voltage)



Wall Mount Sensors (MSD Series)

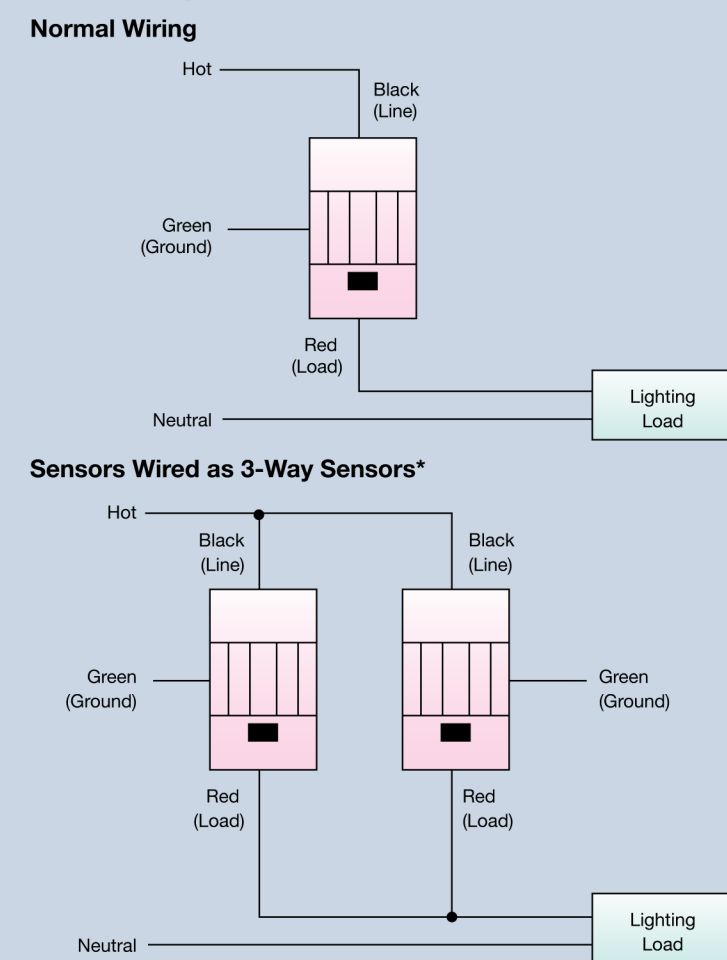


Wiring Schematics - Wall Switches (MSD, MSU, MS1200AT and MS1200 1277 Series)



Wiring Schematics - Wall Switches

MS1200, MS900 and MSP2C Series

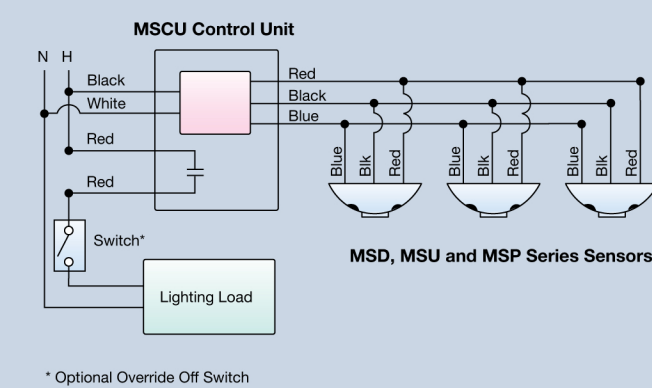


Note: * Load can not exceed the rating of one switch.

Wiring Schematics - Ceiling and Wall Mount Sensors (MSD, MSU, MSP Series)

Single Circuit Application:

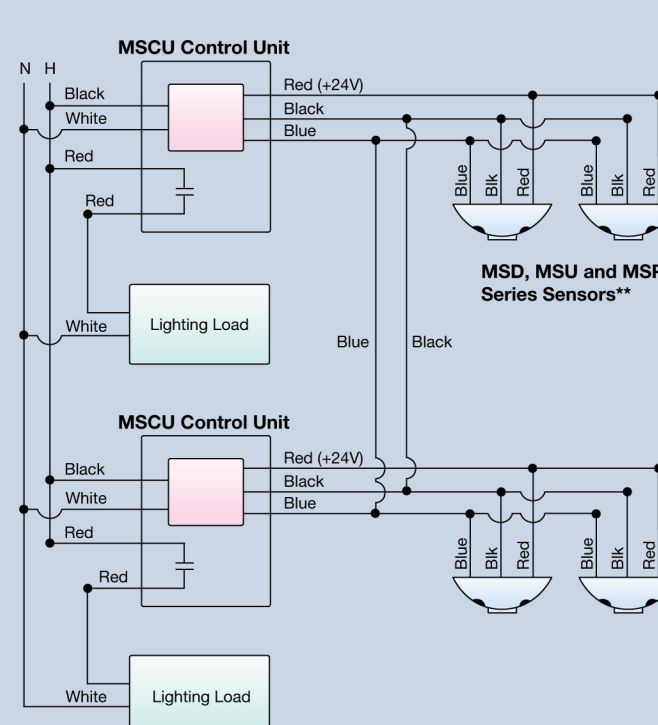
1 to 4 sensors wired to control unit with optional override off switch.



* Optional Override Off Switch

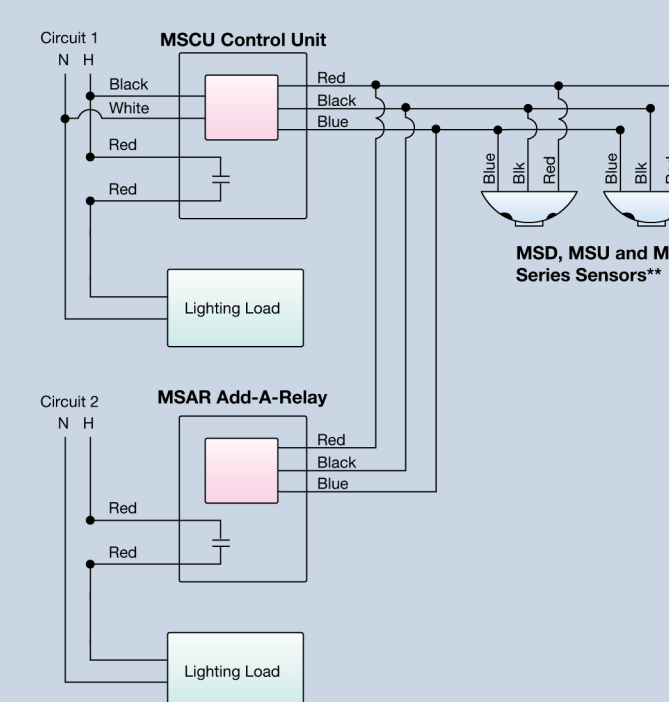
Single Circuit Application:

Two control units wired in parallel to operate 5 to 8 sensors in a single zone. Maximum 4 sensors per control unit any sensor will activate lighting.



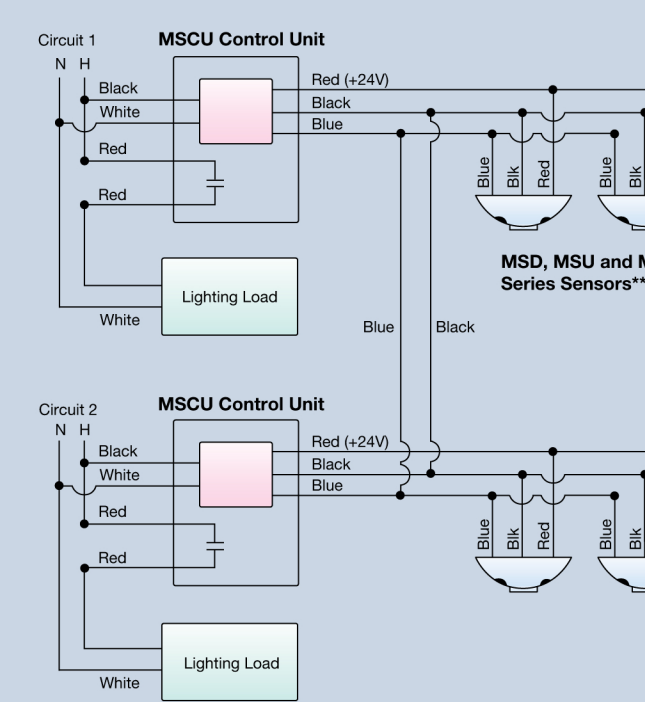
Two Circuit Application:

1 to 4 sensors wired to control unit and Add-A-Relay (control unit switches circuit 1, Add-A-Relay switches circuit 2).



Two Circuit Application:

Two control units wired in two circuits to operate 2 to 8 sensors in a single zone. Maximum 4 sensors per control unit any sensor will activate both lighting loads.



Single Circuit, Dual Level Switching Application:

1 to 4 sensors wired to control unit with optional override off switches.

